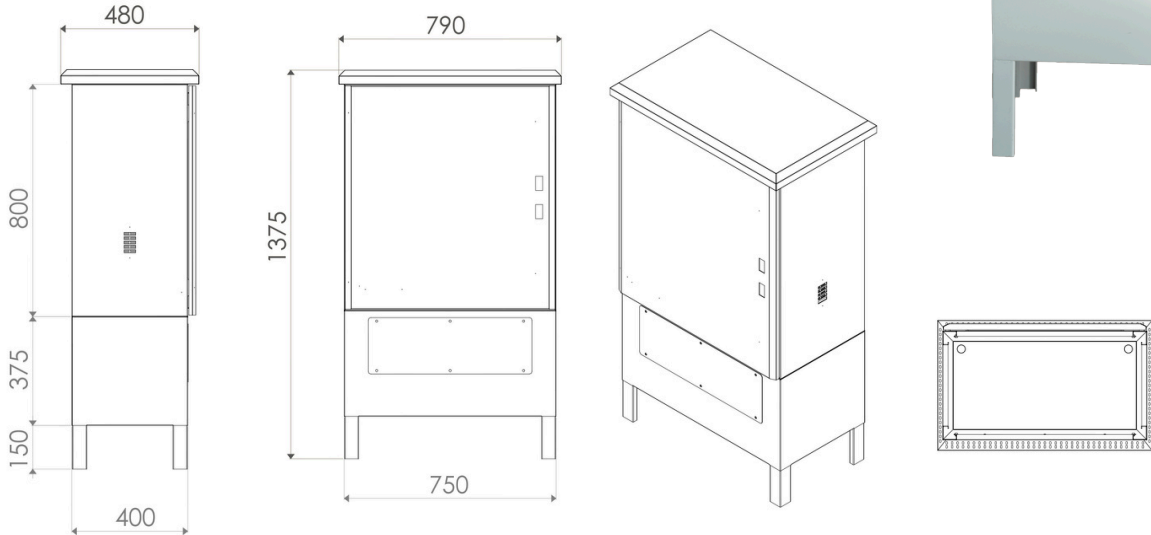


INTERSECTION CONTROL DEVICES

ANTRA UPS

UNINTERRUPTIBLE POWER SUPPLY(UPS) is manufactured by Sinyalizasyon Elektronik to protect the device from power outages, electricity problems caused by high-low voltage, electricity problems caused by bad mains frequency, and network fluctuations. It can protect the device and keep the stability on the junction with its internal UPS (Uninterrupted Power Supply) and voltage regulator. It ensures the continuity of the signalling system without reflecting the interruption to the intersection control system in power cuts. The intersection system can be customized to use specific structures and specific panel designs in 1kVA-11kVA power range. According to its battery capacity, it is capable of feeding an average intersection between 8 hours and 120 hours. In areas deprived of electrical energy, it is possible to operate the system with Smart Hybrid Inverter independently from the network as Off-Grid via the Solar Panel connection.



TEKNİK ÖZELLİKLER;

- > **Housing Material:** Metal
- > **Activation Time:** <20ms
- > **Ingress Protection:** IP65
- > **Operating Voltage:** 5V/24V DC
- > **Operating Temperature:** -20 °C, +70 °C
- > **Max Charging Current:** 25A
- > **Inverter Power:** (3000) Watts
- > **Battery Capacity:** 12V, 200A-h Deep Discharge Resistant, 1700 cycle (@50% DOD) capacity battery
- > **Charging time from battery :** >8 hours (average 4-leg intersection)

