

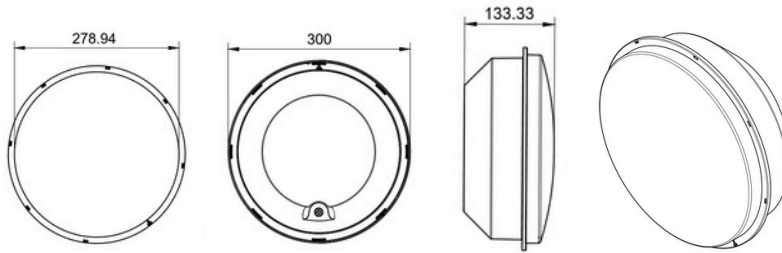
SINYAL GALAXY TRAFFIC LIGHT

POWER LED MODULE TRAFFIC LIGHT

Sinyal Galaxy Traffic Lights, With its superior energy efficiency and high performance, it is a trusted leader in traffic light solutions. Its durable structure, environmentally compatible design, and advanced LED system offer a long-lasting, efficient, and sustainable solution.

GENERAL FEATURES :




- > Lens Diameter: 300 - 200 - 100 mm
- > Body: Polycarbonate UV.
- > Body Color: Black-Gray-Orange
- > Impact Resistance: IR3
- > Ingress Protection: IP65
- > Vibration: Class AJ3
- > Warranty Period: 5 Years

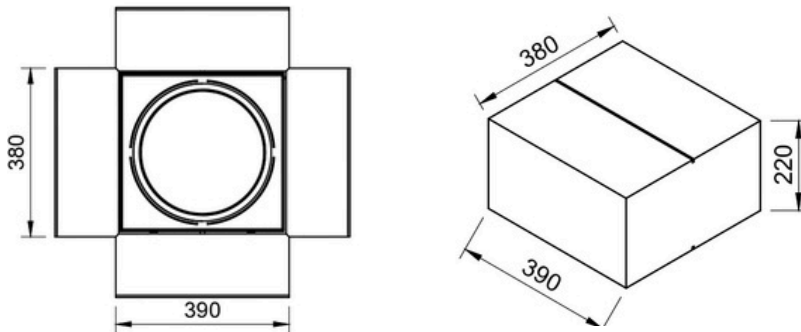


TECHNICAL SPECIFICATIONS :

- > Operating Voltage: 170-265 VAC
- > Operating Temperature: -40°C to +70°C
- > Power (Watt): < 10 W
- > Min. Shutdown Voltage: 90V
- > Reaction On/Off: <50 ms
- > Total Harmonic Distortion (THD): < %20
- > Power Factor (pF): > 0,9
- > Dim Work: Optional
- > Number of LEDs : Ultra Bright LED for Red, Yellow, & Green
- > Light Power (Cd): Type W B3/2, B2/2
- > Signal Symbol: S1-S2
- > EMC: EN 50293
- > Phantom Class : 5
- > Light Distribution : 1/2.5
- > Certificate : TS EN 12368

PACKAGING AND DELIVERY DETAILS :

| PRODUCT CODE | FRONT LENS | SIZE (mm) | FREQUENCY | WEIGHT (kg) | CABLE LENGTH |
|---|------------------------------|-----------|-----------|---------------|----------------------------|
|  Q200GX-R-  Y-G  | Gray-Transparent- Colored | 300-200mm | 45-55 Hz | 1.200kg-640gr | 60-90-140cm 60-80-120cm |



BOX CONTENTS:

- Module Traffic Light
- > Module Traffic Light

