

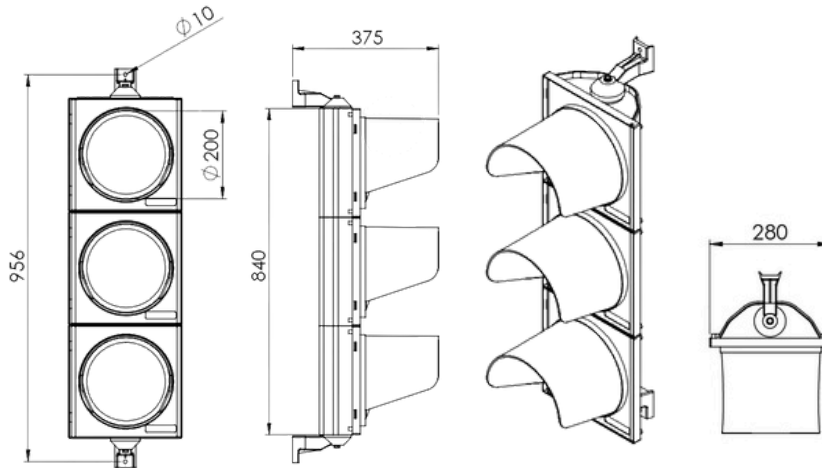
SINYAL GALAXY TRAFFIC LIGHT

Q200 VEHICLE TRAFFIC LIGHT WITH POWER LEDS

Sinyal Galaxy Traffic Light are a reliable leader in traffic light solutions with superior energy efficiency and high performance. With their durable structure, environmentally compatible design, and advanced LED technology, they offer a long-lasting, efficient, and sustainable solution.

GENERAL FEATURES :

- > Lens Diameter: 200 mm
- > Body: Polycarbonate UV.
- > Body Color: Black-Gray-Orange
- > Impact Resistance: IR3
- > Ingress Protection: IP65
- > Vibration: Class AJ3
- > Warranty Period: 5 Years

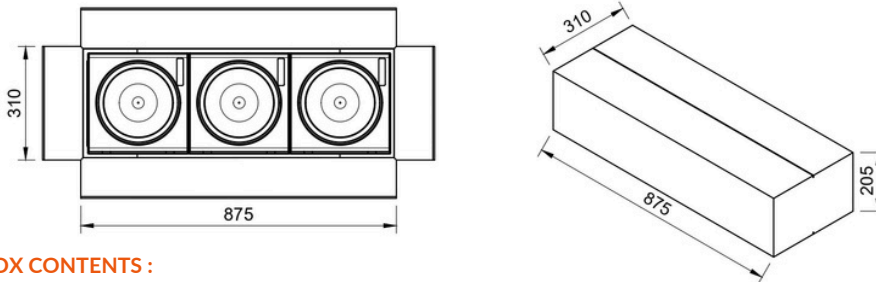


TECHNICAL SPECIFICATIONS :

- > Operating Voltage: 170-265 VAC
- > Operating Temperature: -40°C to +70°C
- > Power (Watt): < 10 W
- > Min. Shutdown Voltage: 90V
- > Reaction On/Off: < 50 ms
- > Total Harmonic Distortion (THD): < %20
- > Power Factor (pF): > 0,9
- > Dim Work: Optional
- > Number of LEDs : Ultra Bright LED for Red, Yellow, & Green
- > Light Power (Cd): Type W B3/2, B2/2
- > Signal Symbol: S1-S2
- > EMC: EN 50293
- > Phantom Class : 5
- > Light Distribution : 1/2.5
- > Certificate : TS EN 12368

PACKAGING AND DELIVERY DETAILS :

| PRODUCT CODE | FRONT LENS | SIZE (mm) | FREQUENCY | WEIGHT (kg) | CABLE LENGTH |
|-----------------|--------------------------|-----------|-----------|-------------|--------------|
| Q200GXPOL-R-Y-G | Gray-Transparent-Colored | 200mm | 45-55 Hz | 5,370kg | 12m |



BOX CONTENTS :

- Vehicle Traffic Light
- > Traffic Light
 - > 2 Consoles
 - > 2 M8 × 50 Bolts
 - > 3 Visors

