

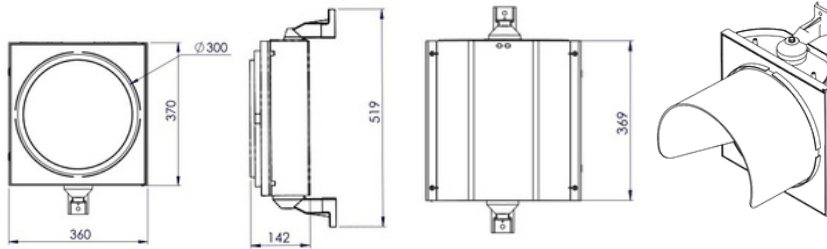
SINYAL SARIX TRAFFIC LIGHT

SINGLE ARROW TRAFFIC LIGHT

Sinyal Sarix Traffic Light, With its superior energy efficiency and high performance, it is a trusted leader in traffic signal solutions. Its durable construction, environmentally compatible design, and advanced LED system offer a long-lasting, efficient, and sustainable solution.

GENERAL FEATURES;

- > Lens Diameter: 300 - 200 - 100 mm
- > Body: Polycarbonate UV.
- > Body Color: Black-Gray-Orange
- > Impact Resistance: IR3
- > Ingress Protection: IP65
- > Vibration: Class AJ3
- > Warranty: 5 Years.

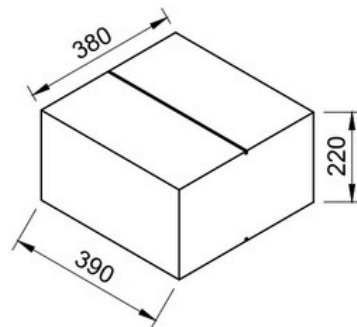
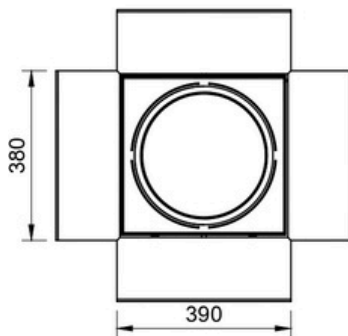


TECHNICAL SPECIFICATIONS;

- > Operating Voltage: 170-265 VAC
- > Operating Temperature: -40°C to +70°C
- > Power (Watt): < 10 W
- > Min. Shutdown Voltage: 90V
- > Reaction On/Off: <50 ms
- > Total Harmonic Distortion (THD): < %20
- > Power Factor (pF): > 0,9
- > Dim Work: Optional
- > Number of LEDs: 110, 93, 33 Ultra Bright LEDs for red, yellow, and green
- > Light Power (Cd): Type N, W B3/2, B2/2
- > Signal Symbol: S1-S2
- > EMC: EN 50293
- > Light Distribution : 1/2.5
- > Certificate : TS EN 12368

PACKAGING & DELIVERY DETALIS ;

PRODUCT CODE	FRONT LENS	SIZE (mm)	FREQUENCY	WEIGHT (kg)	CABLE LENGHT
● Q300OK- ● R-Y-G ●	Grey- Transparent	300mm	45-55 Hz	2.700kg	3.2m



BOX CONTENTS;

Single Arrow Traffic Light

- > Single Arrow Traffic Light
- > 2 Consoles
- > 2 M8 × 50 Bolts
- > 1 Visor

