

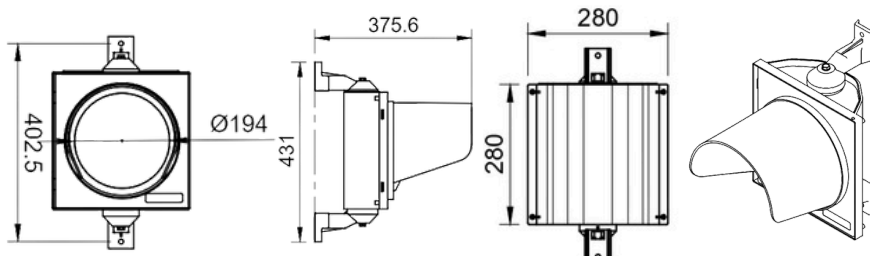
## SINYAL SARIX TRAFFIC LIGHT

### STOP-PASS SINGLE TRAFFIC LIGHT

Sinyal Sarix Traffic Light, With its superior energy efficiency and high performance, it is a trusted leader in traffic signal solutions. Its durable construction, environmentally compatible design, and advanced LED system offer a long-lasting, efficient, and sustainable solution.

#### GENERAL FEATURES;

- > **Lens Diameter:** 300 mm
- > **Body:** Polycarbonate UV.
- > **Body Color:** Black-Gray-Orange
- > **Impact Resistance:** IR3
- > **Ingress Protection:** IP65
- > **Vibration:** Class AJ3
- > **Warranty:** 5 Years.

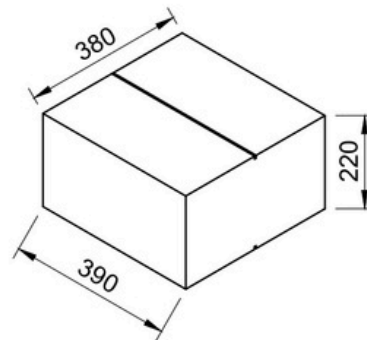
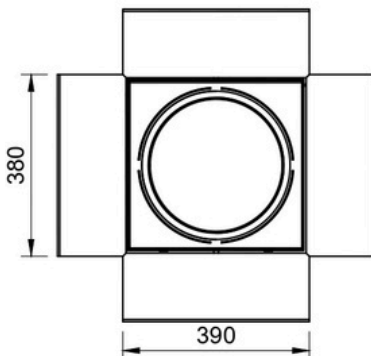


#### TECHNICAL SPECIFICATIONS;

- > **Operating Voltage:** 170-265 VAC
- > **Operating Temperature:** -40°C to +70°C
- > **Power (Watt):** < 10 W
- > **Min. Shutdown Voltage:** 90V
- > **Reaction On/Off:** <50 ms
- > **Total Harmonic Distortion (THD):** < %20
- > **Power Factor (pF):** > 0,9
- > **Dim Work:** Optional
- > **Number of LEDs:** 69, 53 Ultra Bright LEDs for red, yellow, and green
- > **Light Power (Cd):** Type N, B3/2
- > **Signal Symbol:** S1-S2
- > **EMC:** EN 50293
- > **Light Distribution :** 1/2.5
- > **Certificate :** TS EN 12368

#### PACKAGING & DELIVERY DETALIS ;

PRODUCT CODE	FRONT LENS	SIZE (mm)	FREQUENCY	WEIGHT (kg)	CABLE LENGHT
<span style="color: red;">●</span> Q300DRG- <span style="color: yellow;">●</span> R-Y-G <span style="color: green;">●</span>	Grey- Transparent	300mm	45-55 Hz	3.150kg	3.2m



#### BOX CONTENTS;

- Stop-Pass Single Traffic Light
- > Stop-Pass Single Traffic Light
- > 2 Consoles
- > 2 M8 × 50 Bolts
- > 1 Visor

