

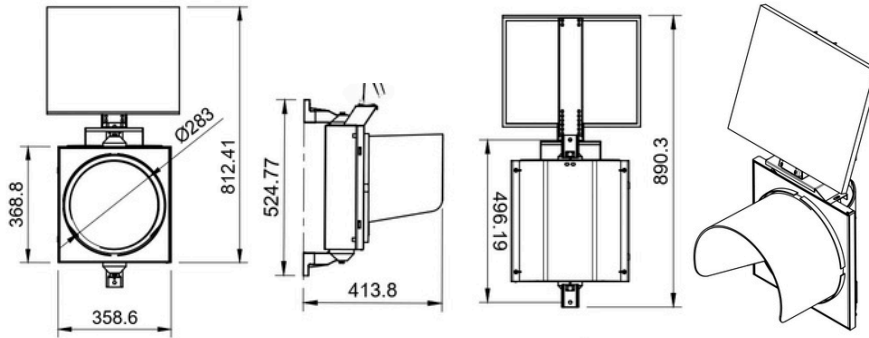
SINYAL SARIX TRAFFIC LIGHT

SOLAR POWERED FLASHER

Sinyal Sarix Traffic Lights, is a reliable leader in traffic signal solutions, offering superior energy efficiency and high performance. With its durable structure, environmentally adaptive design, and advanced LED technology, it provides a long-lasting, efficient, and sustainable solution.

GENERAL FEATURES;

- > **Lens Diameter:** 300-200-100 mm
- > **Body:** Polycarbonate UV.
- > **Body Color:** Black-Gray-Orange
- > **Impact Resistance:** IR3
- > **Ingress Protection:** IP65
- > **Vibration:** Class AJ3
- > **Warranty:** 5 Years.

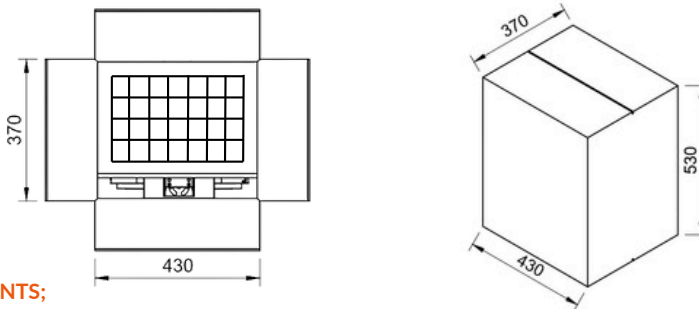


TECHNICAL SPECIFICATIONS;

- > **Operating Voltage:** 12V DC
- > **Operating Temperature:** -40°C to +70°C
- > **Panel Power (Watt):** < 10 W
- > **Battery:** 12V, 7-22Ah VRLA or 11.1 V Li-ion Battery
- > **Operating Modes:**
 - 500ms Flash Fade or Flash Mode at Desired Speed
 - Night-Only Operation Mode Option
- > **Protection:** Overcharge-Discharge Protection
- > **Charging Type:** PWM-MPPT Optional
- > **Dim Work:** Optional
- > **Number of LEDs :** 100 Ultra Bright LEDs for red, yellow, & green
- > **Light Power (Cd):** L8L, L8L, L3
- > **Signal Symbol:** S1-S2
- > **EMC:** EN 50293
- > **Phantom Class :** 5
- > **Light Distribution :** 1/2.5
- > **Certificate :** TS EN 12352

PACKAGING AND DELIVERY DETAILS;

PRODUCT CODE	FRONT LENS	SIZE (mm)	FREQUENCY	WEIGHT (kg)
Q300GEF- K-S-Y 	Gray- Transparent	300mm	45-55 Hz	11.445kg



BOX CONTENTS;

- Solar Powered Flasher
- > Solar Powered Flasher
 - > 2 Consoles
 - > 2 M8 × 50 Bolts
 - > 2 M6 × 10 Bolts
 - > 2 M6 Flanged Nuts
 - > 1 Visor

