

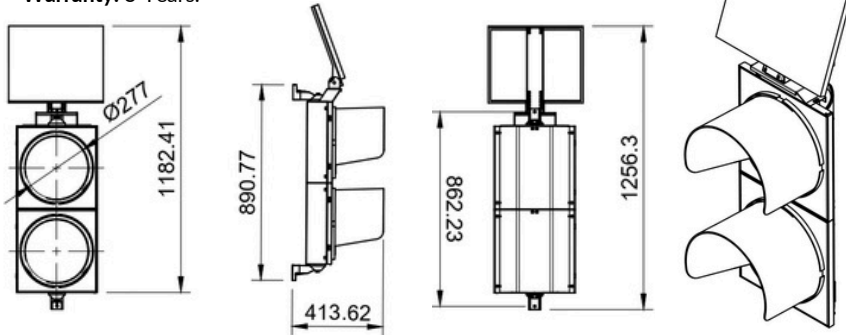
## SINYAL SARIX TRAFFIC LIGHT

### MMPT DOUBLE SOLAR FLASHER

Sinyal Sarix Traffic light, With its superior energy efficiency and high performance, it is a trusted leader in traffic light solutions. Its durable construction, environmentally compatible design, and advanced LED system offer a long-lasting, efficient, and sustainable solution.

#### GENERAL FEATURES;

- > Lens Diameter: 300-200-100 mm
- > Body: Polycarbonate UV.
- > Body Color: Black-Gray-Orange
- > Impact Resistance: IR3
- > Ingress Protection: IP65
- > Vibration: Class AJ3
- > Warranty: 5 Years.

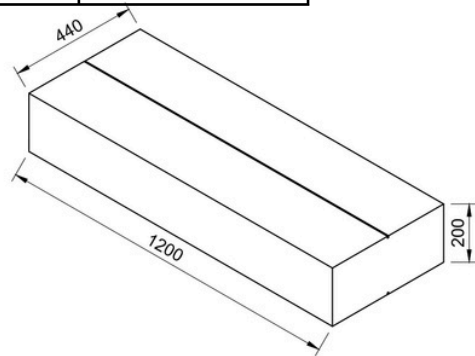
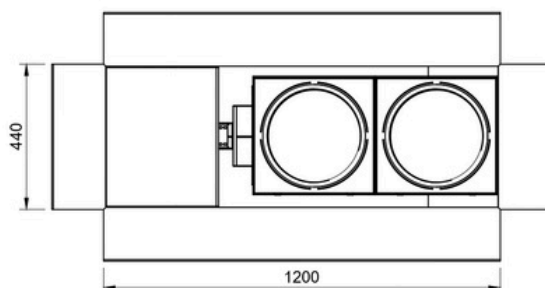


#### TECHNICAL SPECIFICATIONS;

- > Operating Voltage: 12V DC
- > Operating Temperature: -40°C to +70°C
- > Panel Power (Watt): < 10 W
- > Battery: 12V, 7-22Ah VRLA or 11.1 V Li-ion Battery
- > Operating Modes:
  - 500ms Flash Fade or Flash Mode at Desired Speed
  - Night Working Mode Only Option
- > Protection: Overcharge-Discharge Protection
- > Charging Type: PWM-MPPT Optional
- > Dim Work: Optional
- > Number of LEDs : 100 Ultra Bright LEDs for red, yellow, & green
- > Light Power (Cd): L8L, L8L, L3
- > Signal Symbol: S1-S2
- > EMC: EN 50293
- > Phantom Class : 5
- > Light Distribution : 1/2.5
- > Certificate : TS EN 12352

#### PACKAGING AND DELIVERY DETAILS;

PRODUCT CODE	FRONT LENS	SIZE (mm)	FREQUENCY	WEIGHT (kg)
Q300GEF-MP K-S-Y 	Gray-Transparent	300mm	45-55 Hz	13.100kg



#### BOX CONTENTS;

- Double Solar Flasher
- > Double Solar Flasher
  - > 2 Consoles
  - > 2 M8 × 50 Bolts
  - > 2 visors

